

Electrolux

ELECTROLUX OUTDOOR PRODUCTS

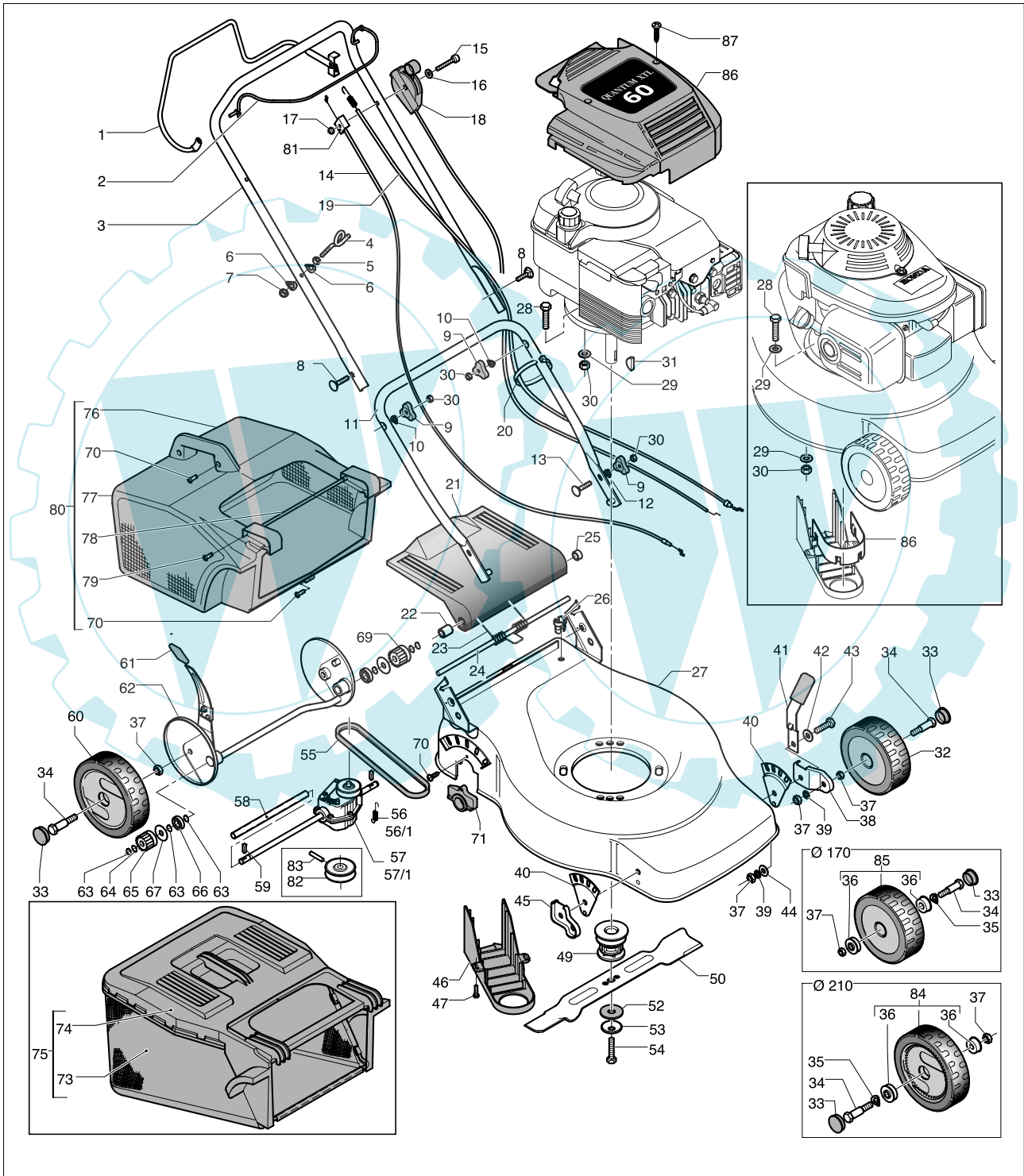
brand	MEP
-------	-----

date	JAN/02	SHEET 1/3
------	--------	-----------

Model

MP - ER 653SP

Product number



 The Electrolux Group. The world's No.1 choice.

Ihr Ersatzteilspezialist im Internet

 **Electrolux**
ELECTROLUX OUTDOOR PRODUCTS

brand	MEP
-------	------------

date	JAN/02	SHEET 2/3
------	--------	-----------

MP - ER 653SP

Pos.	PN ELX	PN MEP	DESCRIZIONE	DESCRIPTION	DESCRIPTION	Q.ty	NOTE
1	531205616	10135883	maniglia frizione	clutch lever	manette d'embrayage	1	
2	531205618	10135893	maniglia freno	lever	manette	1	
3	531206211	10155373	manico superiore	upper handle	guidon superieur	1	
4	531205169	10121470	gancio	cable hook	crochet	1	
5	531207165	10501200	dado	nut	ecrou	1	M6 H6 UNI 5587-6S-ZB
6	531204961	10115900	rondella ondulata	washer	rondelle	2	6,5E
7	531208491	20281800	dado	nut	ecrou	1	M6H8UNI7473ZB
8	531207089	10402401	vite	screw	vis	2	TTSQ M8x50 TF ZB
9	531204923	10114303	pomolo	knob	poignée	4	
10	531207090	10402402	rondella ondulata	washer	rondelle	2	8,5
11	531205711	10140053	manico inferiore	handle lowere	guidon inferieur	1	
12	531204922	10114200	rondella piana	washer	rondelle	2	8x16x1,5 ZB
13	531204921	10114100	vite	screw	vis	2	TTSQ M8x25 T.FIL. ZB B&S
14	531205191	10121610	cavo freno	cable	cable	1	1097/148
14	531205192	10121620	cavo freno	cable	cable	1	TECNA 1420/141,5
14	531205813	10140950	cavo freno	cable	cable	1	HIONDA 1130-152
15	531206212	10155420	vite	screw	vis	1	TE M5x60 UNI 5739-4.8 T.F
16	531206666	10284700	rondella piana	washer	rondelle	1	5/15/1,5 ZB
17	531205213	10121890	dado	nut	ecrou	1	M5 DIN 6923
18	531206210	10155360	acceleratore	accelerador	accélérateur	1	B&S 1430/48
18	531205096	10121010	acceleratore	accelerador	accélérateur	1	HINDA-TECNA 840/846
19	531206191	10155290	cavo frizione	clutch cable	cable d'embrayage	1	rid-plastica
19	531206214	10155460	cavo frizione	clutch cable	cable d'embrayage	1	rid-aluminio
20	531205581	10135600	fascetta	clamp	colier	2	160X4,5
21	531205485	10135071	paratoia	deflector	deflecteur	1	MP
21	531205486	10135072	paratoia	deflector	deflecteur	1	ER
22	531205733	10140223	distanziale	spacer	entretoise	1	H.15
23	531206180	10155190	molla paratoia	spring	ressort	1	
24	531205731	10140190	tirante	tie rod	entretoise	1	
25	531205732	10140213	distanziale	spacer	entretoise	1	H.5
26	531205557	10135413	fermacavo	cable lock	arret du cable	1	
27	531204668	O9155330	scocca	deck	chassis	1	MP
27	531204669	O9155332	scocca	deck	chassis	1	ER
28	531205196	10121700	vite	screw	vis	3	TE M8x35 UNI 5739-8,8-ZB
28	531205196	10121700	vite	screw	vis	2	TE M8x35
	531206681	10291000	vite	screw	vis	1	TE 8X60
29	531207981	20106200	rondella dent.	washer	rondelle	4	D.8E DIN 6798
30	531207982	20106300	dado	nut	ecrou	7	M8 H8 UNI 5587-6S ZB
31	531204907	10100900	chiavetta	key	clavette	1	4x6,5 UNI6606 WODRUF
32	531205031	10120074	ruota	wheel	roue	2	D.170/13 TAC
33	531204936	10114804	tappo ruota	plug	bouchon	4	
34	531205042	10120090	vite	screw	vis	4	
35	531206644	10275100	rosetta	washer	rondelle	4	UNI 8840- B12(13/24/0,8
36	531205214	10121900	cuscinetto ruota	ball-bearing	roulement	8	
37	531207978	20101700	dado	nut	ecrou	8	M10 H8 UNI 5588-6S ZB
38	531204915	10107302	supporto ruota	bearing	support	1	DX


 **The Electrolux Group. The world's No.1 choice.**

Ihr Ersatzteilspezialist im Internet

 **Electrolux**
ELECTROLUX OUTDOOR PRODUCTS

brand	MEP
-------	------------

date	JAN/02	SHEET 3/3
------	--------	-----------

MP - ER 653SP

Pos.	PN ELX	PN MEP	DESCRIZIONE	DESCRIPTION	DESCRIPTION	Q.ty	NOTE
39	531208974	30102100	rondella dentellata	washer	rondelle	4	
40	531205925	10146010	supporto leva alzar.	support	support	2	
41	531204913	10107203	asta alzaruote	rod	tige	2	
42	531206020	10146530	rosetta	washer	rondelle	2	UNI 8840 B12 (13/24/1)
43	531204912	10107100	vite	screw	vis	2	
44	531207989	20113000	rondella piana	washer	rondelle	2	10x30x2,5
45	531204914	10107301	supporto ruota	bearing	support	1	SX
46	531206175	10155083	carter cinghia	belt housing	carter de courroie	1	
47	531207856	10831800	vite	screw	vis	3	TEFR 5x10 ZB
49	531206169	10155040	supporto lama	support	support	1	
50	531207622	10700100	lama	blade	lame	1	
52	531207243	10531700	rondella frizione	washer	rondelle	1	FRIZ.17,2x50x1,- 5+0,1
53	531207237	10530900	rondella elastica	washer	rondelle	1	11x50x2,5
54	531208008	20120580	vite	screw	vis	1	TE 3/8 UNFx37- 8,8 1/2F ZB Z29 1/2
55	531206176	10155100	cinghia	belt	courroie	1	(10X750) 3L310
56	531205216	10121920	molla	spring	ressort	1	RID-PLASTICA
56	531206182	10155210	molla	spring	ressort	1	RID-ALUMINIO
57	531204755	09767400	riduttore	reducer	reducteur	1	RID-PLASTICA
57	531204758	09767800	riduttore	reducer	reducteur	1	RID-ALUMINIO
58	531207697	10766503	tubetto distanziale	spacer tube	toyau entretoise	1	
59	531205108	10121160	chiavetta	key	clavette	2	"S" 5x5(- 0,05)x19,2 DIAG D.210
60	531205624	10136074	ruota	wheel	roue	2	
61	531207986	20107203	guaina	sheating	gaine	1	
62	531206178	10155150	assale posteriore	rear axle	assieu arriere	1	
63	531208772	20655800	seeger	seeger	seeger	6	D.12E DIN 471
64	531208859	20761300	rondella temp.	washer	rondelle	2	D.12,4x17x0,3
65	531205045	10120160	pignone	pinion	pignon	1	DX
66	531208778	20657600	cuscinetto	ball-bearing	roulement	2	D.12/28/8 6001/2RS
67	531207847	10831200	rondella piana	washer	rondelle	2	D.12/34/0,7 ZB
69	531205046	10120170	pignone	pinion	pignon	1	SX
70	531208216	20135720	vite	screw	vis	5	TCTC2F D5x16 AC
71	531205944	10146093	supporto ass.post.	support	support	2	
73	531208259	20140373	sacco nero	sac	sac	1	
74	531205763	10140393	cop.sacco con telaio	sack frame upper	cadre du sac uperieur	1	
75	531204522	09140413	sacco completo	grass catcher	sac complete	1	
76	531208207	20135323	cestello sinistro	left side grass catcher	bac côte gauche	1	
77	531208203	20135313	cestello destro	right side grass catcher	bac côte droit	1	
78	531205547	10135330	tirante	tie rod	entretoise	1	D.8 x 330
79	531207937	10878000	vite	screw	vis	2	TCTC 3,9x16
80	531205545	10135303	cestello completo	grass catcher	bac complet	1	
81	531208043	20121983	supporto cavo	cable bearing	support du cable	1	
82	531208899	20768203	puleggia riduttore	gear pulley	poulie reducteur	1	
83	531207703	10768400	spina elastica	resilient pin	goupille expansible	1	
85	531204371	09120084	ruota anteriore	front wheel	roue anterieur	2	D170/26 TAC
84	531204461	09135294	ruota posteriore	posterior wheel	roue posterieur	2	D210/26 TAC
86	531206031	10146690	inserto copcinghia	inset	insère	1	


 **The Electrolux Group. The world's No.1 choice.**

Ihr Ersatzteilspezialist im Internet